

Rockwell custom kit

No. CK-AG-7

International

P.O. BOX 3090 ALBANY, GEORGIA 31706-3090 PHONE 229/883-1440 FAX 229/439-9790

Custom Kit CK-AG-7
July 11, 1975

INSTALLATION OF 70 AMPERE GENERATOR CIRCUIT BREAKER

MODELS AFFECTED: Model S-2R, S/N 5001R thru 5075R.

REASON FOR PUBLICATION: To provide a higher ampere rated circuit breaker in order to utilize more of the generator's capacity.

COMPLIANCE: At owner's discretion

NOTE

If any problems are encountered while installing this Custom Kit, contact Rockwell International, General Aviation Division, Customer Service Department, Bethany, Oklahoma 73008

BY WHOM WORK WILL BE ACCOMPLISHED:

A & P Mechanic

APPROVAL:

FAA DER Approved

ESTIMATED MAN HOURS:

One (1) hour

PARTS DATA:

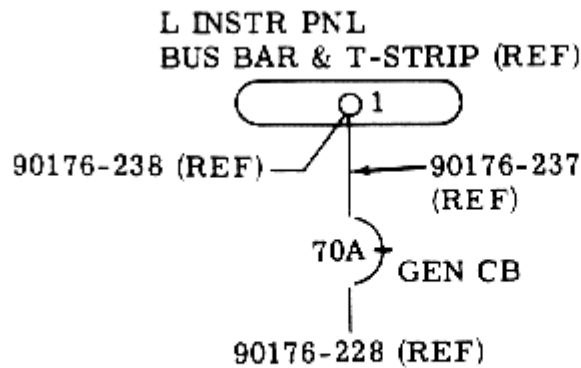
Parts required to comply with this Custom Kit may be obtained at no charge, from Rockwell International, General Aviation Division, Spar Sales Department, Albany, Georgia 31702. Reference this Custom Kit, aircraft model and factory serial number when ordering Custom Kit No. CK-AG-7 consisting of the following:

<u>Qty</u>	<u>Part No.</u>	<u>Description</u>
1 ea.	1648-001-70	Circuit Breaker
1 ea.	Custom Kit No. CK-AG-7	Installation Instructions

SPECIAL TOOLS: None

ACCOMPLISHMENT INSTRUCTIONS:

1. Assure that battery switch is OFF.
2. Remove screws attaching left instrument panel and pull out panel to gain access to generator circuit breaker wiring.
3. Remove and discard existing generator circuit breaker located on left instrument panel.
4. Install 1648-001-70 generator circuit breaker and connect to airplane electrical system as shown below.



5. Reinstall left instrument panel.

ELECTRICAL LOAD: No Change

WEIGHT AND BALANCE: No Change

PUBLICATION AFFECTED: The Illustrated Parts Catalog will incorporate the changes required by this document at the next scheduled change/revision.

RECORD COMPLIANCE: Make appropriate entry in airplane maintenance records as follows:

Custom Kit No. CK-AG-7 dated July 11 1975, entitled "Installation of 70 Ampere Generator Circuit Breaker", accomplished (date)