

Rockwell service letter No. SL-AG-51

International

P.O. BOX 3090 ALBANY, GEORGIA 31706-3090 PHONE 229/883-1440 FAX 229/439-9790

Service Letter No. SL-AG-51
February 1, 1969

RE-POSITIONING OF VOLTAGE REGULATOR ASSEMBLY

APPLICABILITY: ALL S-2R Aircraft, Serial Number 1416R through 1460R.

The voltage regulator on S-2R's Serial 1416R through 1460R is mounted in a vertical position on the firewall. There have been field reports that indicate that a longer regulator life could be obtained by mounting it in a horizontal position. By changing the position of the regulator, the shock mounts are more effective and should prolong the regulator life during operations on rough strips.

At the same time the voltage regulator assembly is re-positioned, a firewall clamp should be added for additional firewall support. This installation is shown on Sheet 3. Instructions for re-positioning the voltage regulator are called out on Sheet 2.

SERVICE KIT #51 PART LIST

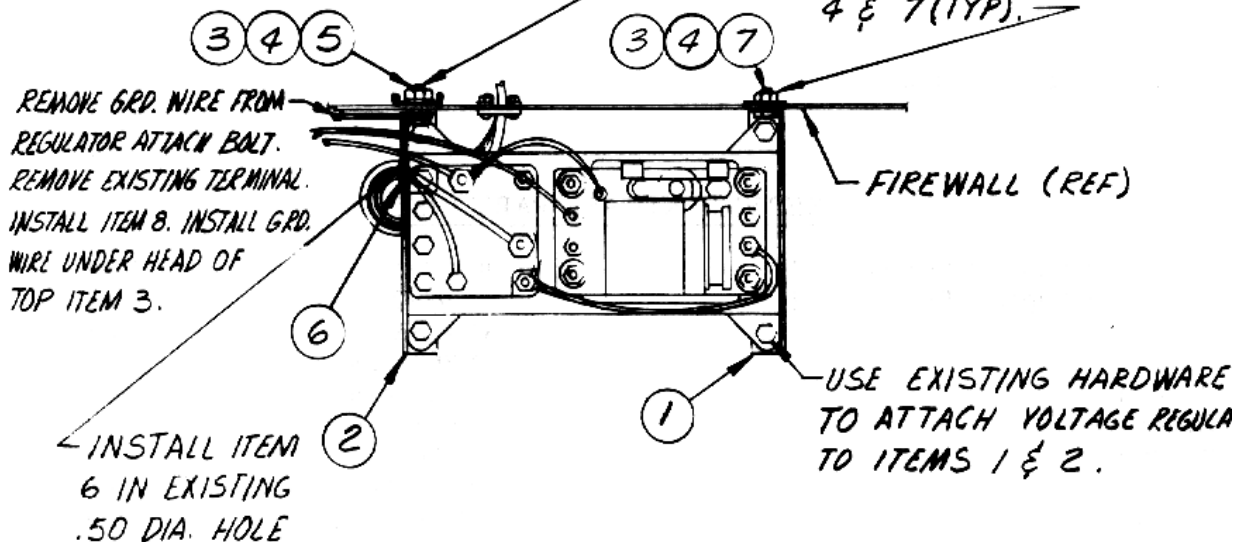
Regulator Support Bracket L/H	90293-1	1 ea.
Regulator Support Bracket R/H	90293-2	1 ea.
Bolt	AN4-5A	8 ea.
Nut	AN365-428	8 ea.
Washer	AN960-416	4 ea.
Grommet	AN931-5-9	1 ea.
Washer	An970-4	4 ea.
Clamp	AN942-D14	1 ea.
Screw	AN526-1032-12	1 ea.
Washer	AN970-3	3 ea.
Nut	AN365-1032	1 ea.
Washer	AN960-10	1 ea.
Terminal	MS25036-3	1 ea.
Terminal	MS25036-5	1 ea.
Terminal	MS25036-18	1 ea.
Terminal	MS25036-16	1 ea.

SERVICE LETTER NO. 51

SHEET 2 of 3

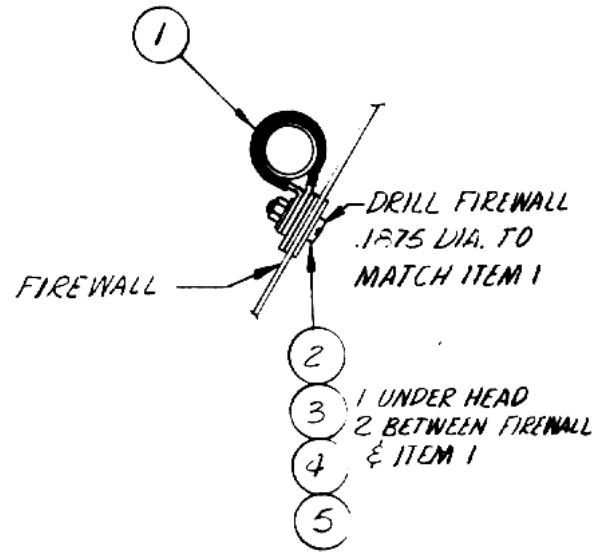
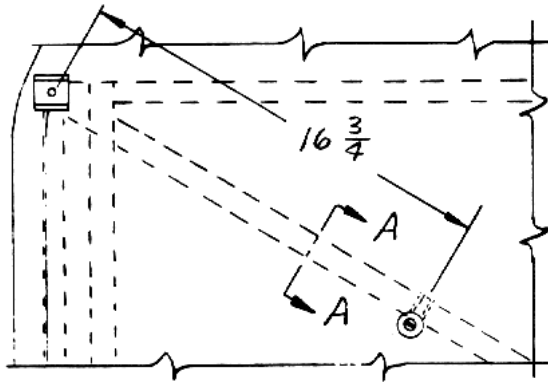
REMOVE VOLTAGE REGULATOR ASSY FROM FIREWALL. REMOVE 3 EXISTING RIVETS BETWEEN EXISTING .25 DIA. HOLES. ALIGN TOP & BOTTOM HOLES IN ITEM 2 WITH EXISTING .25 DIA. HOLES IN FIREWALL. DRILL FIREWALL .25 DIA. TO MATCH 2 MIDDLE HOLES IN ITEM 2. INSTALL ITEMS 3, 4 & 5 (TYP).

ALIGN TOP & BOTTOM HOLES IN ITEM 1 WITH EXISTING .25 DIA. HOLES IN FIREWALL. DRILL FIREWALL .25 DIA. TO MATCH 2 MIDDLE HOLES IN ITEM 1. INSTALL ITEMS 3, 4 & 7 (TYP).



SERVICE LETTER NO. 51

SHEET 3 of 3



VIEW A-A
SCALE $\frac{1}{2}$